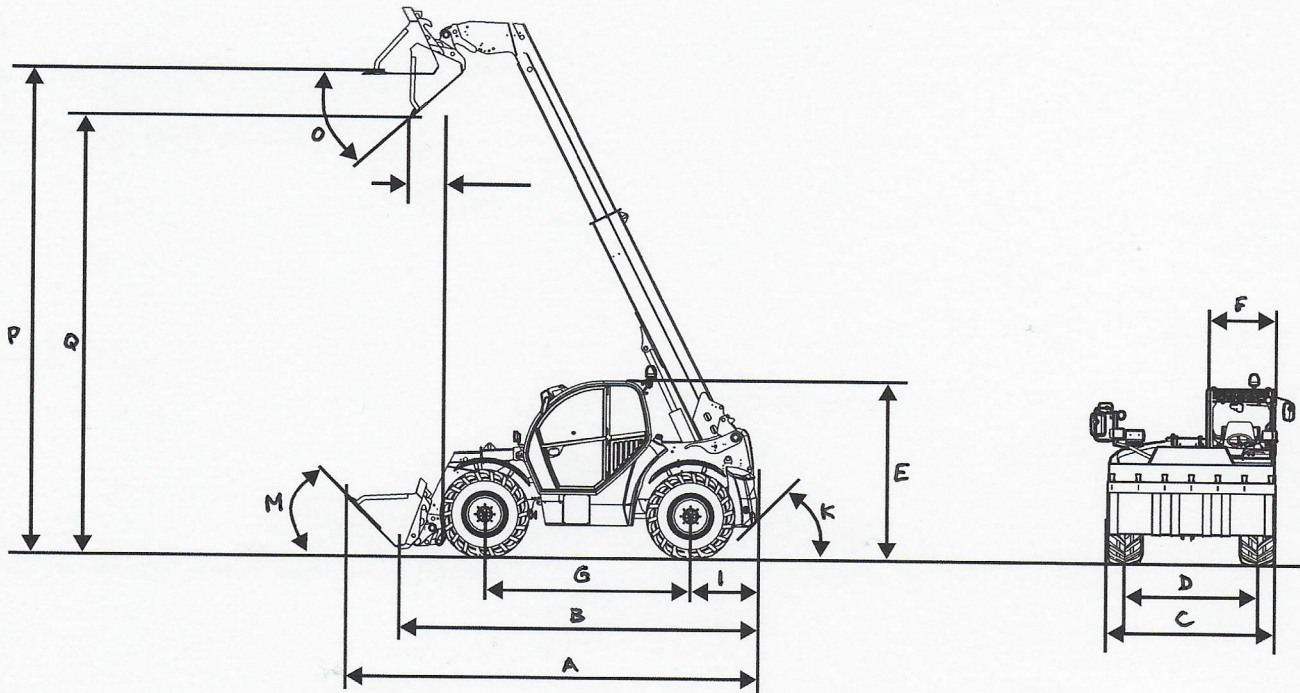


Dimensions.



	3007	3507	4407	5007	5507	5509
--	------	------	------	------	------	------

DIMENSIONS

	3007	3507	4407	5007	5507	5509
A Length, including tool frame mm	4,880	4,880	4,985	4,985	4,985	5,690
B Length with standard bucket mm	5,600	5,600	Up to 6,160	Up to 6,160	Up to 6,160	Up to 6,690
C Width with standard tyres mm	2,280	2,280	2,500	2,500	2,500	2,500
D Track width mm	1,880	1,880	1,995	1,995	1,995	1,995
E Height to cab roof mm	2,290	2,290	2,460	2,460	2,460	2,460
F Width of the cab mm	990	990	990	990	990	990
G Distance between the rear wheels mm	2,850	2,850	2,950	2,950	2,950	3,150
H Ground clearance mm	415	415	418	418	418	412
I Distance from centre of rear wheel to the tail mm	830	830	950	950	950	1,140
K Rear approaching angle	45°	45°	36,5°	36,5°	36,5°	32°
M Tilting angle (bucket)	49°	49°	45°	45°	45°	45°
O Dump angle (bucket)	41°	41°	41°	41°	41°	41°
P Overhead loading height with standard bucket mm	6,820	6,820	6,835	6,835	6,835	8,498
Q Dumping height mm	6,330	6,330	6,183	6,183	6,183	7,997
R Dumping height with standard bucket mm	110	110	495	495	495	63

Subject to change without notice. Errors and omissions are reserved. The contractual agreement is expressly decisive.