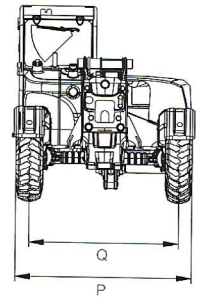
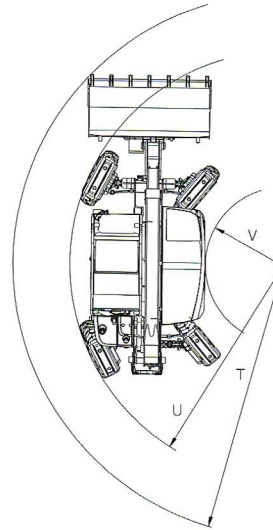
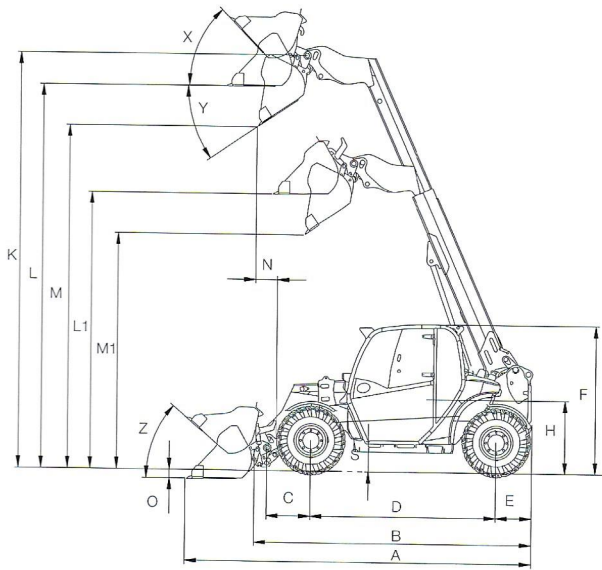


# Dimensions.



804                      1245                      2205                      2706

## DIMENSIONS

Standard light materials bucket mm

|    |  |       |                           |       |                     |
|----|--|-------|---------------------------|-------|---------------------|
| A  | Total length mm  | 1.450 | 1.600                     | 1.900 | 2.000               |
| B  | Total length without bucket mm                         | 3.554 | 3.886                     | 4.576 | 4.958               |
| C  | Axle centre to bucket pivotal point mm                 | 2.717 | 2.916                     | 3.747 | 4.400               |
| D  | Distance between wheels mm                             | 406   | 425                       | 581   | 1.030               |
| E  | Rear overhang mm                                       | 1.795 | 1.920                     | 2.449 | 2.650               |
| F  | Height with cab mm                                     | 343   | 391                       | 472   | 0                   |
| H  | Seat height mm   | 1.900 | 1.940/1.960 <sup>2)</sup> | 1.950 | 1.980               |
| K  | Max. height of bucket pivotal point mm                 | 914   | 953/973                   | 962   | 1.025               |
| L1 | Overhead loading height of telescopic arm retracted mm | 4.145 | 4.503/4.523 <sup>2)</sup> | 5.471 | 6.080               |
| L  | Overhead loading height of telescopic arm extended mm  | 2.725 | 2.909/2.929 <sup>2)</sup> | 3.638 | 3.730               |
| M1 | Dumping height of telescopic arm retracted mm          | 3.799 | 4.123/4.143 <sup>2)</sup> | 5.056 | 5.600               |
| M  | Dumping height of telescopic arm extended mm           | 2.244 | 2.375/2.395 <sup>2)</sup> | 3.103 | 3.450               |
| N  | Coverage mm  | 3.318 | 3.589/3.609 <sup>2)</sup> | 4.520 | 5.280               |
| O  | Digging depth mm                                       | 533   | 543                       | 293   | 680 <sup>1)</sup>   |
| P  | Total width mm   | 114   | 94                        | 111   | 150                 |
| Q  | Track width mm   | 1.413 | 1.560                     | 1.808 | 1.960               |
| S  | Ground clearance mm                                    | 1.252 | 1.296                     | 1.530 | 1.660               |
| T  | Maximum radius outside mm                              | 223   | 286/306 <sup>2)</sup>     | 256   | 302                 |
| U  | Radius on outer edge mm                                | 3.034 | 3.489                     | 4.153 | 4.500               |
| V  | Inside radius mm                                       | 2.227 | 2.722                     | 3.281 | 3.670               |
| X  | Rollback angle at max. lifting height °                | 595   | 951                       | 1.193 | 1.700               |
| Y  | Max. dumping angle °                                   | 52    | 52                        | 46,5  | 45                  |
| Z  | Rollback angle on bottom °                             | 32    | 31                        | 34,5  | 22/40 <sup>3)</sup> |
|    |  | 44    | 44                        | 41    | 45                  |

<sup>1)</sup> with Standard bucket 0,85 m<sup>3</sup>

<sup>2)</sup> Values chassis with large engine

<sup>3)</sup> with total rotation angle of 150°