



KRAMER
on the safe side

Wheel and tele wheeled loaders

8075, 8085, 8095, 8105, 8115
8085T, 8095T



Performance redefined.

Wheel loaders and tele wheeled loaders of the 8-series.

Safety in every respect – Wheel loaders and tele wheeled loaders from Kramer.

Safety, comfort and a variety of options are top priority at Kramer, which can be seen in every detail of our products. You can rely completely and entirely on Kramer wheel loaders and tele wheeled loaders in any application.

Our all-wheel steering and undivided frame ensure excellent stability at all times. In addition, a long service life as well as the economic efficiency ensure even more investment security: A broad range of attachments for application year-round makes our wheel loaders and tele wheeled loaders true multi-taskers.

Your success – our benchmark.

Sophisticated machines – from the beginning.

With products from Kramer, you are choosing a machine whose design and development focused on one thing: hard everyday work. From the start, we make sure that our products meet the requirements of our customers both present and future. Challenging longterm tests with several thousand hours of operation ensure the high quality and marketability of all new machine generations.

Made in Germany – in demand world-wide.

Kramer-Werke based in Pfullendorf is one of the world's leading manufacturers of compact construction equipment. The highest standards for materials, technology and quality are the guarantee of our powerful and durable products.



Always available – when you need us.

Benefit from our first-class all-round service: whether in the provision of original spare parts or professional diagnostics and maintenance. A comprehensive dealer network with trained service employees is available to you.

The wheel loaders of the 8-series



8075

Bucket capacity: 0,75 m³



8085

0,85 m³



8095

0,95 m³



8105

Bucket capacity: 1,05 m³



8115

1,15 m³

The tele wheeled loaders of the 8-series



8085T

Bucket capacity: 0,85 m³



8095T

0,95 m³

Tough shell. Intelligently inside.

Excellent performance values
with compact dimensions and low net weight.

Powerful engines with high-power delivery
and low noise levels.

Variable drive system
optionally up to 40 Kph - for
sensitive working and high
torque.

Large selection of tyre options
for a wide range of application areas.

Three types of steering to meet every requirement.

Comfort cab with an entry from both sides as well
as extensive glazing for the best all-round visibility
and fatigue-free working.

**Gentle retraction and
extension** thanks to the final
position dampening.

More efficiency due to the hydraulical
quick-hitch system and parallel guided
loading system with Z-kinematics for
tele wheeled loaders.

More reach and lift height due to a
telescoping loading system.

Flexible in application with a 3rd control circuit,
a 4th control circuit (optional) as well as Powerflow
hydraulics and attachments for the work platform.*

Efficient working thanks to the hydraulical quickhitch
system, load stabilizer and parallel guided
loading system with P-kinematics for wheel loaders.

High bucket apron, long bucket bottom as well as
a large tilt in and tilt back angle for safe and quick
material transport.

Excellent traction thanks to 100%
connectable differential lock.

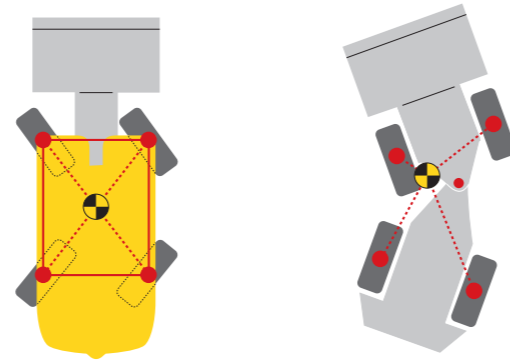


* The regulations and laws of the relevant countries and regions are to be met.

Extreme stability. Enormous manoeuvrability.

Safe and efficient working - guaranteed in all situations by using Kramer's wheel and tele wheeled loaders.

Undivided chassis for a high level of stability ...

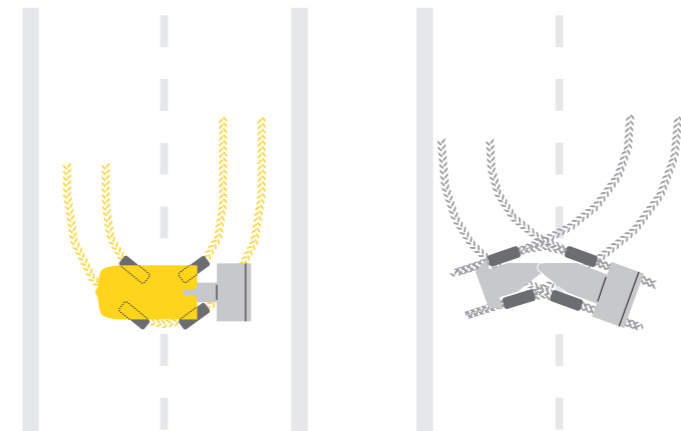


... without a shift in the centre of gravity.

High level of stability

Our wheel loaders are designed with an undivided chassis that prevents shifts in the centre of gravity, even on full steering angle. This ensures high levels of stability - even when working on uneven ground.

In one turn with all-wheel steering ...



... instead of time-consuming manoeuvring with an articulated joint.

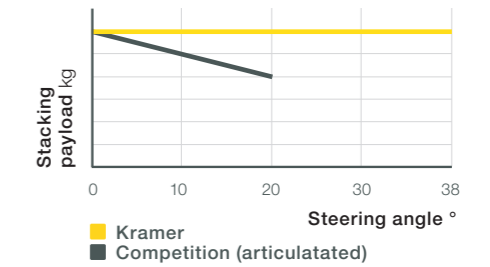
Enormous manoeuvrability

The all-wheel steering and a steering angle of 40 degrees on each axle allows a high degree of manoeuvrability. Some steering manoeuvres therefore become unnecessary, resulting in shorter cycle times.

Constant leverage for constant payload

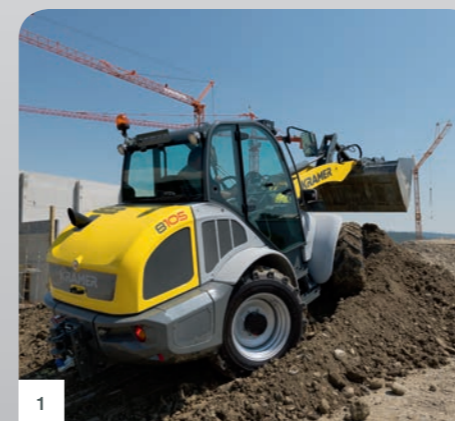


Constant payload

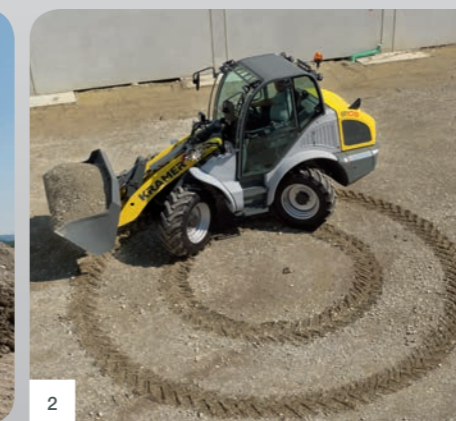


Constant load

The undivided chassis prevents the clearance between the counterweight and loading system from changing. The result: Constant leverage that makes working safe in all load situations. In the process, the payload always stays the same, regardless of the steering angle.



1 Excellent stability even when operating on uneven ground: The undivided frame provides superior stability.



2 The high level of manoeuvrability of the all-wheel steer wheel loaders and tele wheeled loaders is particularly useful in tight spaces.



3 Even with a heavy load: Constant payload at any steering angle.

Economical and powerful engines. For every application.

You are well prepared for the strict exhaust regulations of the future with the engines in the Kramer wheel and tele wheeled loaders. The engines of the 8-series therefore correspond to the current exhaust emissions level IIIB.*

As a standard, they are outfitted with 55 kW and with diesel oxidation catalytic converters (DOC) - this allows reliable operation in every situation. In addition, the new engines offer full performance despite a low RPM and a high torque increase. For maximum flexibility, there is available the 55 kW engine with a diesel particulate filter (DPF), which available regenerates the soot.

* Exception: 8075, since level IIIA.

Top performance of the engine:

- About 15 % more torque**
- Maintenance-free exhaust after treatment with DOC
- Up to 10 % in fuel savings**



** Compared to previous model with 55 kW.

DCR®

The new Deutz engines meet the exhaust emission level IIIB.



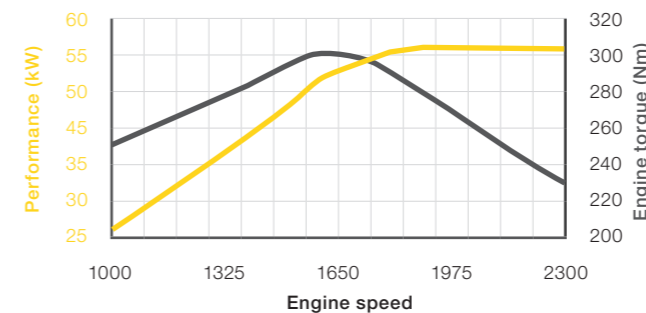
The right engine for every application: Overview of the engines of the 8-series.

	8075	8085	8095	8105	8115	8085T	8095T
Engines	Yanmar	Deutz	Deutz	Deutz	Deutz	Deutz	Deutz
35 kW	●	-	-	-	-	-	-
55 kW	-	●	●	●	○	●	○
75 kW	-	-	-	○	●	-	●
DOC (for 55 kW and 75 kW)	-	●	●	●	●	●	●
DPF (for 55 kW)	-	○	○	○	○	○	○

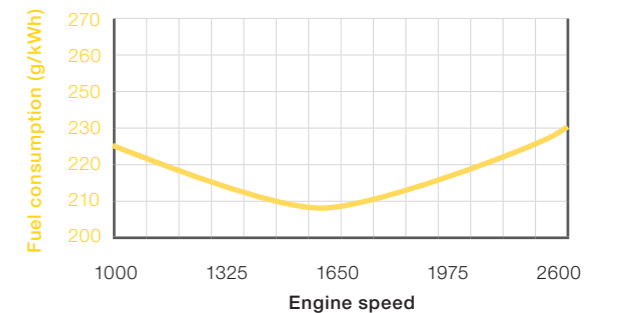
- Standard
- Option
- Not available

Performance curves for Deutz TCD 2.9 (55 kW, level IIIB)

Agile driving behaviour, even at lower RPM.



High fuel savings with full performance.



Quick on road. Accurate on site.

A powerful drive system plus sophisticated safety and comfort functions - with this combination, Kramer wheel and tele wheeled loaders score both on and off site. Kramer's optional Ecospeed variable high speed gearbox can be of particular benefit where long travel distances are involved.

Via an electronic control module, the transmission is automatically adapted to the respective load condition of the machine. So you can always rely on maximum torque, even when using a low engine speed.

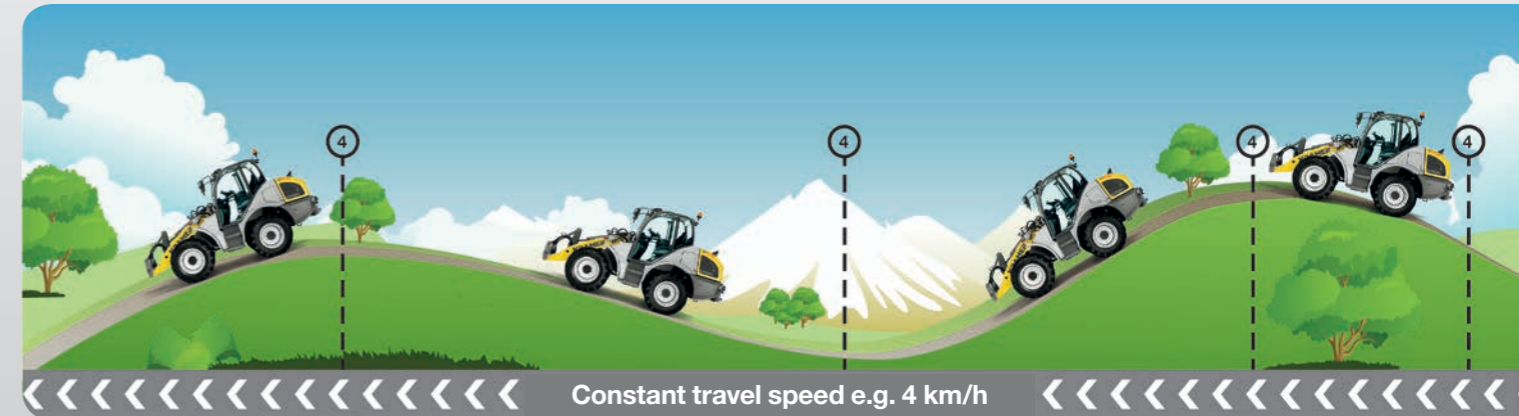


100% connectable differential lock
Muddy soils, wet conditions or snow: Kramer machines also stand their ground on challenging surfaces – thanks to the 100% connectable differential lock, which provides an even distribution of the drive force to all four wheels.



Maximum power output – also during road travel to the working site.

**constant
speed
drive** 



CSD hand throttle, slow or fast travel:
Constant travel speed in any driving situation.

Top performance of the drive system:

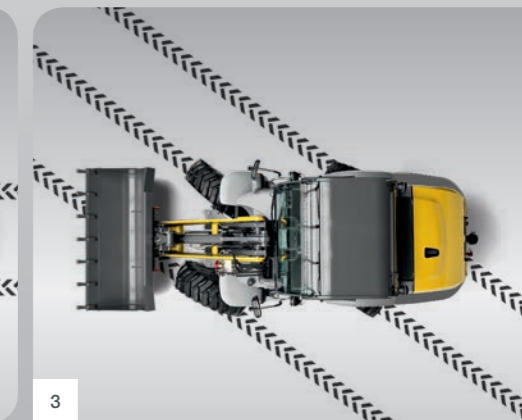
- Maximum torque and tractive force in all driving and working situations
- Reduced fuel consumption
- Low noise emissions of the diesel engine
- Constant Speed Drive (CSD) with memory function
- 100% connectable differential lock for constant maximum traction



1 The all-wheel steering is particularly manoeuvrable due to its 2x40-degree steering angle.



2 The front wheel steering offers conventional driving behaviour, for example when driving on a road.



3 Crab steering is ideal for parallel movement and manoeuvring in confined spaces, e.g. when clearing industrial buildings.

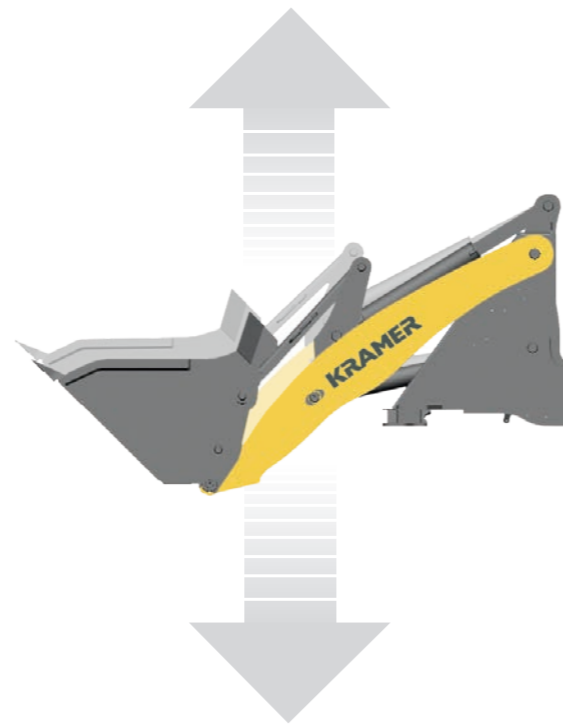
High resilient.
Easy to adapt.

Reliable in operation with pallet forks

Thanks to the P-kinematics, you have optimal control of all transported materials, because it ensures the attachments are moved parallel across the entire lifting range.

Convincing in bucket operation

The sophisticated combination of special Kramer bucket shape, high bucket apron, long bottom as well as the 50-degree tilt back and 45-degree tilt forward angles, ensures safe working, even with a full bucket.



Protects man and machine: The fully automatic load stabilizer dampens oscillations of the loading system or the load during transport work. For higher travel speeds and even more driving stability and comfort.



Maximize reach: The tele loading system increases the stacking and dumping height.

Secure transport, thanks to Kramer's bucket geometry and high tilt-back angle.



The Kramer quick-hitch system:



1 Drive up to the attachment.



2 Hydraulically mount the attachment from the seat and with a clear line of sight



3 Control the process with the easy to use joystick.

Top performance of the loading system:

- Fully automatic load stabilizer for more driving comfort and safety
- P-kinematics for precise parallel guidance of the load across the entire lifting height*
- A thousand-time-tested and proven quick-hitch system for the quick application of different attachments
- Ideal bucket geometry for optimal handling of bulk material

* not at 8085T and 8095T

Sensitive control. Powerfully tackled.

Connect and disconnect attachments within seconds, sensitive control, quick work cycles and all this with low in-cab noise levels. The technology behind the work hydraulics of our machines makes this possible.

The work hydraulics and drive system are optimally coordinated with each other. Powerflow was designed and developed for special attachments with an increased power requirement, such as mulchers or snow blowers. Powerflow is optionally available and offers extra power potential.

powerflow 

Top performance of the work hydraulics:

- Convenient operation of attachments, even with 2 hydraulically activated functions, via the joystick
- More power to the drive system from hydraulically activated attachments through Powerflow
- Thousand-time-tested and proven quick-hitch system as a standard
- Hydraulic oil cooler for long-time application during power operation



Pressure release in the 3rd control circuit – for easy connecting and disconnecting of attachments with hydraulically activated auxiliary functions (option).

Extremely versatile due to the standard 3rd control circuit as well as optional 4th control circuit and Powerflow.

Everything under control inside.

Everything in view outside.

With the Kramer cab Design, comfort, ergonomics and functionality can be seen in every detail. The result is an extremely spacious cab with a great deal of space and a driver's cab with superball-round visibility.

The all-in-one joystick, as the heart of the machine, provides secure and intuitive operation. In addition, the colour-coded switches provide an extra degree of clarity and user friendliness. With the suspended sensitive brake-inch and gas pedals, the machine's movements are always extremely precise.

Cab comfort is completed with flexible steering wheel and seat adjustments as well as an ergonomic design. Both contribute to a fatigue-free working over many hours.

Color-coding of the switches: four colours for even more safety.



Very spacious and perfect visibility to all sides.

Top performance of the cab:

- The steering wheel and control console with joystick and seat are individually adjustable
- Intuitive operation of all-in-one joystick
- Switches color-coded by operation for an intuitive operation
- Windscreen wipers with an interval switch for good visibility at all times
- 2,3 m³ cab volume and 3,6 m² window area
- Powerful heater, window ventilation and heating nozzles in the footwell
- Fully integrated optional air-conditioning system



Easy entry and egress from both sides – for safe entry using the side facing away from traffic.



Everything in control at night: Illuminated switches and well-thought-out arrangement of the operator's controls.



Sensitive and precise control of the machine and attachment via hydraulically activated, pilot-operated joystick.

Tractor homologation is a plus. More possibilities.

The trailer coupling in conjunction with a tractor homologation makes every wheel loader and tele wheeled loader the perfect towing vehicle. In this way, you can transport attachments, work machines, tools and building materials to the site of application - even on public roads. This saves you valuable time and therefore also costs.



Attractive duo: Trailer coupling in combination with a pressure braked system.

Top performance of the trailer coupling:

- Height-adjustable trailer coupling*
- Up to 14 ton trailer load**
- EU-wide tractor homologation for use on public roads

* Except for the 8075.

** The regulations and laws of the relevant countries and regions are to be met.

MAXIMUM PERMISSIBLE TRAILER LOADS

	Coupling Type	Unbraked trailer load kg	Overrun braked trailer load kg	Trailer load with pressure air-brake kg	Trailer load with hydraulically activated brake kg
8075	Bolt/Ball joint	750	8.000/3.500	-	-
8085	Bolt/Ball joint	750	8.000/3.500	-	13.000
8095	Bolt/Ball joint	750	8.000/3.500	-	13.000
8105	Bolt/Ball joint	750	8.000/3.500	14.000/-	14.000
8115	Bolt/Ball joint	750	8.000/3.500	14.000/-	14.000
8085T	Bolt/Ball joint	750	8.000/3.500	-	13.000
8095T	Bolt/Ball joint	750	8.000/3.500	14.000/-	14.000

Comment: The respective national provisions are to be observed.



Ideal for a wide range of applications: The height of the trailer coupling can be flexibly adapted.

A variety of tasks. Always the right attachments.

Make your wheel loader and tele wheeled loader into a useful all-year, all-rounder: with our wide diversified range of attachments. This is not only practical, but also economical.

Front attachments

Standard

- Pallet forks
- Standard bucket
- Light material bucket
- Super light weight bucket
- Material pusher
- Work platform*

Powerflow

- Cold planer
- Municipal mulcher
- Front-end mulcher
- Trencher
- Snowblower

Hydraulically activated

- Heavy duty bucket
- Side tilt bucket
- High bucket tilt
- High pressure water sprayer
- Branch and hedge cutters
- Concrete mixing bucket
- Earth auger
- Sweeper
- Snowplow



* The regulations and laws of the relevant countries and regions are to be met.

You can find even more attachments at:
www.kramer.de

Rear attachments

Standard

- Unbraked trailer
- Overrun braked trailer
- Compressed air braked trailer
- Electric salt spreader

Hydraulically activated

- Hydraulically activated braked trailer
- Hydraulically activated salt spreader
- Trailer tipping hydraulics

Simple maintenance. Quick service.

We know that every minute counts for you. That is why we already ensure during the design and development that you can quickly and easily maintain your wheel loader and tele wheeled loader.

The engine hood can be opened wide, that all maintenance points are conveniently accessible. And the best maintenance is the kind that is not required, such as with our maintenance-free exhaust cleaning system (DOC).

Top performance with maintenance and service:

- Quick maintenance due to good accessibilityit
- Reliable diagnostics via Kramer diagnostic software KADIAS
- 30,000 spare parts in stock for quick repairs - world-wide.



Quick and easy service: reduces the downtime of your machine to a minimum.

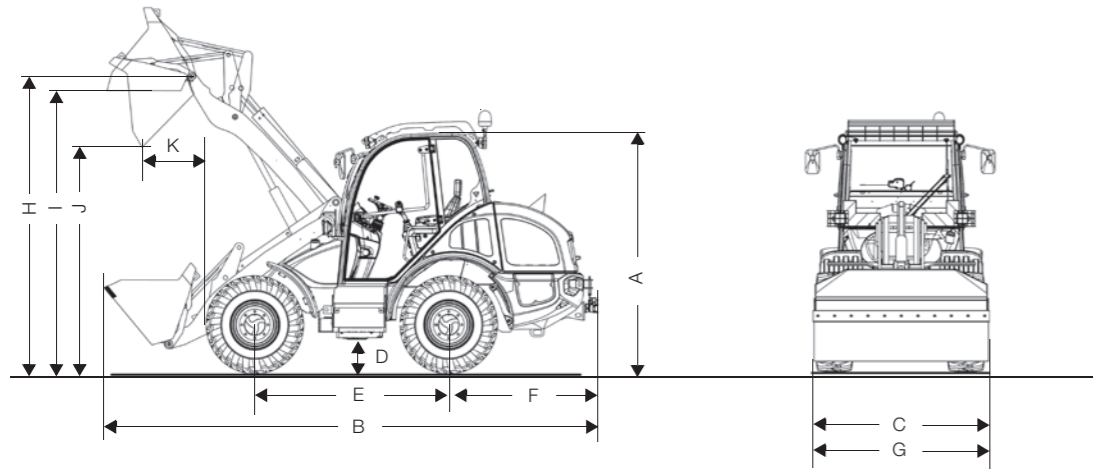


Your wishes.
Many possibilities.



	8075	8085	8095	8105	8115	8085T	8095T
STANDARD EQUIPMENT AND OPTIONS							
Bucket capacity (standard bucket) m ³	0,75	0,85	0,95	1,05	1,15	0,85	0,95
Operating weight (standard equipment) kg	4.300	4.750	4.990	5.550	6.050	5.500	5.850
Quick-hitch system	hydraulic	hydraulic	hydraulic	hydraulic	hydraulic	hydraulic	hydraulic
ENGINE							
Make	Yanmar	Deutz	Deutz	Deutz	Deutz	Deutz	Deutz
Type/Design system	4TNV88	TCD 2.9	TCD 2.9	TCD 2.9 (series) TCD 3.6 (option)	TCD 2.9 (option) TCD 3.6 (series)	TCD 2.9	TCD 2.9 (option) TCD 3.6 (series)
Power output kW	35	55,4	55,4	55,4 (series) 74,4 (option)	55,4 (series) 74,4 (option)	55,4	55,4 (series) 74,4 (option)
Max. torque Nm at rpm/min	142 at 1.100	300 at 1.600	300 at 1.600	300 at 1.600 410 at 1.600 (option)	300 at 1.600 (option) 410 at 1.600 (series)	300 at 1.600	300 at 1.600 (option) 410 at 1.600 (series)
Displacement cm ³	2.190	2.925	2.925	2.925 (series) 3.621 (option)	2.925 (option) 3.621 (series)	2.925	2.925 (option) 3.621 (series)
Exhaust emission stage	IIIA	IIIB	IIIB	IIIB	IIIB	IIIB	IIIB
Emissions	tested and certified according to 97/68EG*2012/46EG						
POWER TRANSMISSION							
Drive unit	continuously variable hydrostatic axial-piston gearbox						
Travel speed km/h	20 (series) 30 (option) 40 (option)	20 (series) 30 (option) 40 (option)	20 (series) 30 (option) 40 (option)	20 (series) 30 (option) 40 (option)	20 (series) 30 (option) 40 (option)	20 (series) 30 (option) 40 (option)	20 (series) 30 (option) 40 (option)
Axles	Planetary steering axles						
Total oscillating angle °	22	22	22	22	22	22	22
Differential lock	100% FA	100% FA	100% FA	100% FA+RA	100% FA+RA	100% FA	100% FA+RA
Service brake	Hydraulic disc brake						
Parking brake	Mechanical disc brake						
Standard tyres	12.5-18	12.5-20	12.5-20	16/70-20	405/70-24	12.5-20	16/70-20
STEERING AND WORK HYDRAULICS							
Functionality	Hydrostatic all-wheel steering with emergency steering possibilities; front axle steering (option), crab steering (option)						
Steering pump	Hydraulic pump via priority valve						
Steering cylinder	Double-acting with independent final position synchronization						
Max. steering lock °	2 x 40						
Work pump	Gear pump						
Flow rate (pump) max. l/min	52	70	70	84	84	70	84
Pressure max. bar	240	240	240	240	240	240	240
Flow rate (pump option) l/min	-	115	115	120	120	115	120
KINEMATICS							
Design System	Parallel kinematics	Parallel kinematics	Parallel kinematics	Parallel kinematics	Parallel kinematics	Z-Kinematics	Z-Kinematics
Lifting force/shearing force kN	34/31,8	43,8/40,7	43,6/39,4	44,5/40,0	46,5/41,9	31/49	31/40
Lift / lower lift cylinder s	5,2/3,0	6,0/4,0	6,0/4,0	5,2/3,8	6,2/4,8	5,6/4,0	5,0/3,6
Tipping cylinder fill shovel / empty shovel s	2,5/2,9	2,4/2,6	2,4/2,6	2,5/2,8	2,3/2,9	2,6/2,6	2,5/2,5
Tilt-in / tilt-out angle °	50/45	50/45	50/45	50/42	50/45	45/40	40/40
Tipping load (standard bucket) kg	3.500	3.650	3.750	4.100	4.300	3.300	3.500
Tipping load (pallets) kg	2.500	2.685	2.875	3.125	3.625	2.500	2.875
Payload S = 1.25 (pallets) kg	2.000	2.150	2.300	2.500	2.900	2.000	2.300
Payload S = 1.67 (pallets) kg	1.500	1.600	1.700	1.850	2.170	1.500	1.700
Digging depth mm	50	40	60	68	55	80	50
FILLING VOLUMES							
Fuel / hydraulic oil tank l	85/50	85/50	85/50	120/64	120/64	85/50	120/64
ELECTRIC SYSTEM							
Operating voltage V	12	12	12	12	12	12	12
Battery / alternator Ah/A	77/80	77/95	77/95	100/95	100/95	77/95	100/95
Starter kW	2,3	2,6	2,6	3,2	3,2	2,6	3,2

Dimensions.



8075 8085 8095 8105 8115 8085T 8095T

DIMENSIONS

	8075	8085	8095	8105	8115	8085T	8095T
A Height mm	2.450	2.480	2.480	2.640	2.680	2.590	2.750
B Length mm	5.080	5.280	5.410	5.710	5.800	5.890	6.040
C Width mm	1.720	1.780	1.780	1.970	1.970	1.780	1.970
D Ground clearance mm	300	330	330	340	390	330	340
E Distance between wheels mm	2.020	2.020	2.020	2.150	2.150	2.020	2.150
F Middle of the rear axle to the end of the vehicle mm	1.490	1.490	1.490	1.620	1.620	1.490	1.620
G Bucket width mm	1.750	1.850	1.950	2.050	2.150	1.850	1.950
H Bucket pivot point mm	3.065	3.290	3.290	3.351	3.450	3.615/4.690'	3.622/4.672'
I Overhead loading height	2.915	3.140	3.090	3.116	3.200	3.445/4.520'	3.392/4.442'
J Dumping height (bucket)	2.400	2.560	2.580	2.613	2.650	3.010/4.010'	2.922/3.972'
K Dumping width (bucket)	650	635	650	743	660	620/1.080'	648/1.108'
Stacking height mm	2.800	3.040	3.040	3.066	3.200	3.390/4.470'	3.452/4.492'
Turning radius (across tyres) mm	2.840	2.840	2.840	3.000	3.000	2.840	3.000

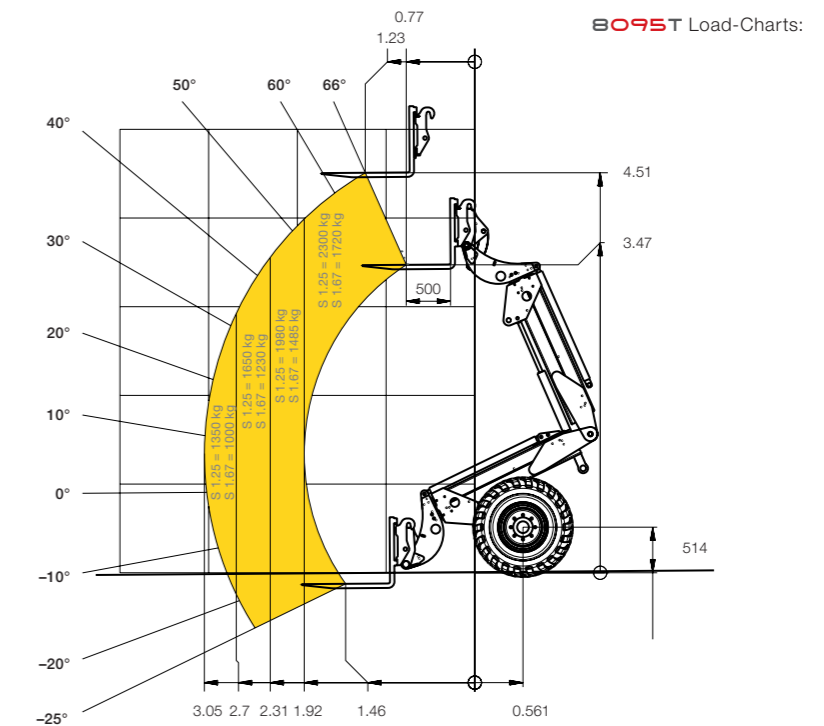
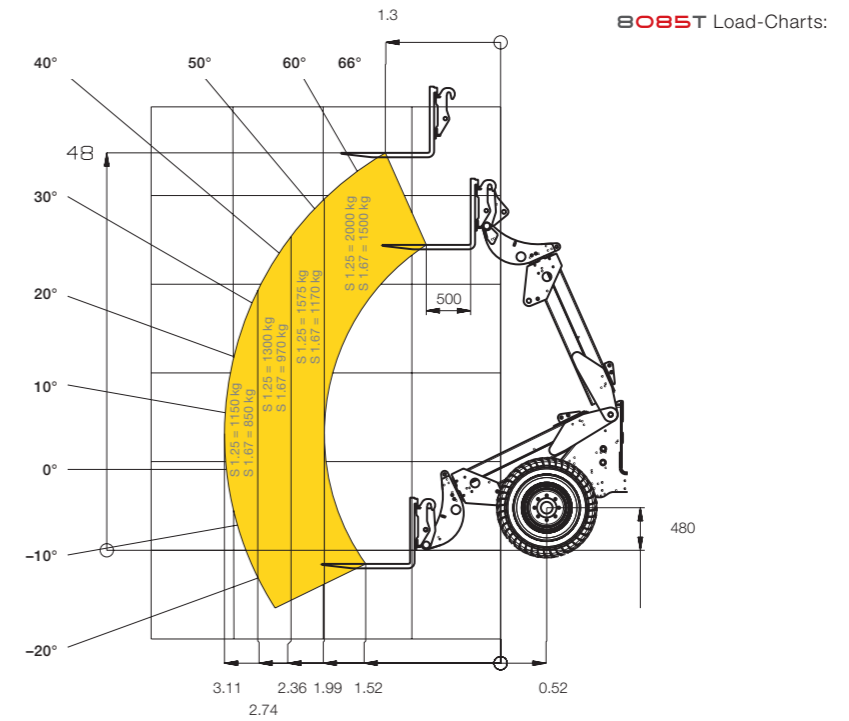
* extended

8075L 8085L 8095L 8115L

DIMENSIONS WITH LONG LOADING SYSTEM

	8075L	8085L	8095L	8115L
B Length mm	5.180	5.600	5.650	5.800
H Bucket pivot point mm	3.260	3.550	3.550	3.640
I Overhead loading height	3.110	3.400	3.400	3.430
J Dumping height (bucket)	2.595	2.850	2.850	2.970
K Dumping width (bucket)	630	730	730	490
Stacking height mm	2.995	3.300	3.300	3.725
Bucket tipping load kg	3.100	3.000	3.240	4.300
Pallet tipping load kg	2.375	2.500	2.500	3.625
Pallet payload S= 1,25 kg	1.900	2.000	2.000	2.900
Pallet payload S= 1,67 kg	1.400	1.500	1.500	2.170

Load-Charts.





KRAMER
on the safe side

Kramer-Werke GmbH
Wacker Neuson Straße 1
88630 Pfullendorf
Germany
Tel. 00 800 90 20 90 20*
Fax +49(0)7552 9288-234
info@kramer.de
www.kramer.de

* toll free

