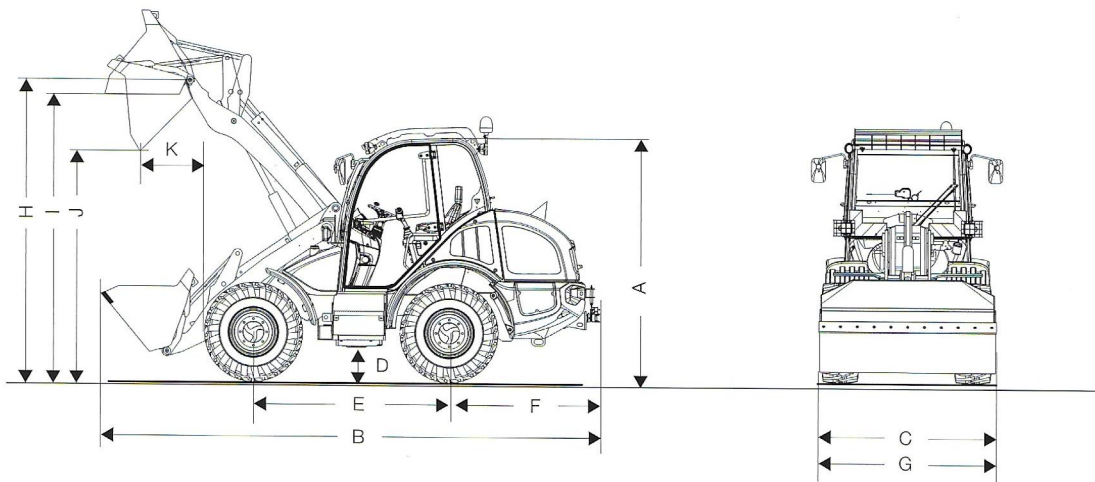


# Dimensions.



**8075    8085    8095    8105    8115    8085T    8095T**

## DIMENSIONS

|   |       |       |       |       |       |              |              |
|---|-------|-------|-------|-------|-------|--------------|--------------|
| <b>A</b> Height mm  | 2,450 | 2,480 | 2,480 | 2,640 | 2,680 | 2,590        | 2,750        |
| <b>B</b> Length mm  | 5,080 | 5,280 | 5,410 | 5,710 | 5,800 | 5,870        | 6,040        |
| <b>C</b> Width mm   | 1,750 | 1,780 | 1,780 | 1,920 | 1,970 | 1,780        | 1,920        |
| <b>D</b> Ground clearance mm                                  | 300   | 330   | 330   | 350   | 390   | 330          | 350          |
| <b>E</b> Distance between wheels mm                           | 2,020 | 2,020 | 2,020 | 2,150 | 2,150 | 2,020        | 2,150        |
| <b>F</b> Middle of the rear axle to the end of the vehicle mm | 1,490 | 1,490 | 1,490 | 1,620 | 1,620 | 1,490        | 1,620        |
| <b>G</b> Bucket width mm                                      | 1,750 | 1,850 | 1,950 | 2,050 | 2,150 | 1,950        | 1,950        |
| <b>H</b> Bucket pivot point mm                                | 3,065 | 3,290 | 3,290 | 3,359 | 3,450 | 3,615/4,690* | 3,630/4,680* |
| <b>I</b> Overhead loading height                              | 2,915 | 3,140 | 3,090 | 3,124 | 3,200 | 3,445/4,520* | 3,400/4,450* |
| <b>J</b> Dumping height (bucket)                              | 2,400 | 2,560 | 2,580 | 2,621 | 2,650 | 3,010/4,010* | 2,930/3,980* |
| <b>K</b> Dumping width (bucket)                               | 650   | 635   | 650   | 735   | 660   | 620/1,080*   | 640/1,100*   |
| Stacking height mm  | 2,800 | 3,040 | 3,040 | 3,074 | 3,200 | 3,390/4,470* | 3,460/4,500* |
| Turning radius (across tyres) mm                              | 2,840 | 2,840 | 2,840 | 2,950 | 3,000 | 2,840        | 2,950        |

\* extended

**8075L    8085L    8095L    8115L**

## DIMENSIONS WITH LONG LOADING SYSTEM

|   |       |       |       |       |
|---|-------|-------|-------|-------|
| <b>B</b> Length mm                              | 5,180 | 5,600 | 5,650 | 5,800 |
| <b>H</b> Bucket pivot point mm                  | 3,260 | 3,550 | 3,550 | 3,640 |
| <b>I</b> Overhead loading height                | 3,110 | 3,400 | 3,400 | 3,430 |
| <b>J</b> Dumping height (bucket)                | 2,595 | 2,850 | 2,850 | 2,970 |
| <b>K</b> Dumping width (bucket)                 | 630   | 730   | 730   | 490   |
| Stacking height mm                              | 2,995 | 3,300 | 3,300 | 3,725 |
| Bucket tipping load kg                          | 3,100 | 3,000 | 3,240 | 4,300 |
| Pallet tipping load kg                          | 2,375 | 2,500 | 2,500 | 3,625 |
| Pallet payload S=1.25 kg                        | 1,900 | 2,000 | 2,000 | 2,900 |
| Pallet payload S=1.67 kg                        | 1,400 | 1,500 | 1,500 | 2,170 |
| Bucket pivotal point for long loading system mm | 3,260 | 3,550 | 3,550 | 3,640 |