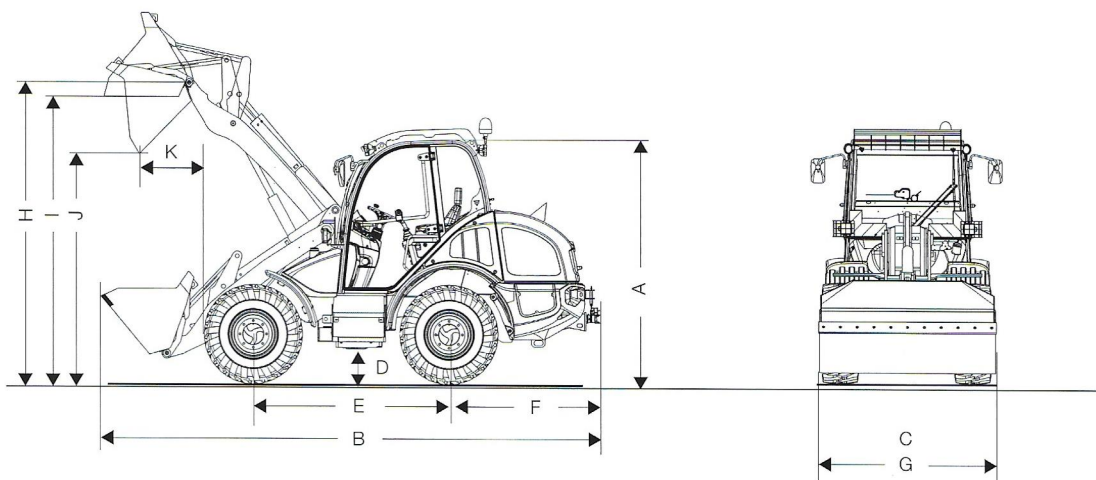


Dimensions.



	5075	5085	5095	5085T
DIMENSIONS				
A Height mm	2450	2450/2480	2480	2590
B Length mm	5080	5280	5410	5890
C Width mm	1720	1720	1720	1720
D Ground clearance mm	300	300/330	330	330
E Distance between wheels mm	2020	2020	2020	2020
Middle of front axle to tip tooth mm	1570	1770	1900	2270
F Middle of the rear axle to the end of the vehicle mm	1490	1490	1490	1490
G Bucket width mm	1750	1850	1950	1850
H Bucket pivotal point mm	3065	3260/3290	3290	3610/4690
I Overhead loading height mm	2915	3110	3090	3440/4520
J Dumping height mm	2400	2530	2580	3010/4010
K Dumping width mm	650	635	650	620/1080
Stacking height mm	2800	3000/3030	3030	3390/4470
Turning radius (tyres) mm	2840	2840	2840	2840
DIMENSIONS WITH THE LONG LOADING SYSTEM				
B Length mm	5180	5600/5650	5650	-
Middle of front axle to tip tooth mm	1670	2090	2190	-
H Bucket pivotal point mm	3260	3520/3550	3550	-
I Overhead loading height mm	3110	3370	3400	-
J Dumping height mm	2530	2820	2820	-
K Dumping width mm	635	730	730	-