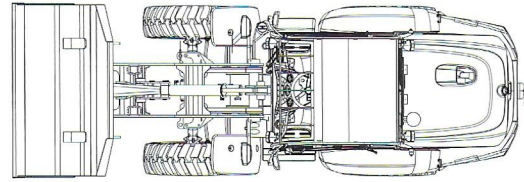
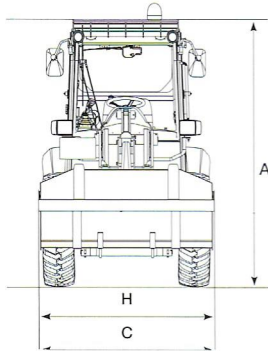


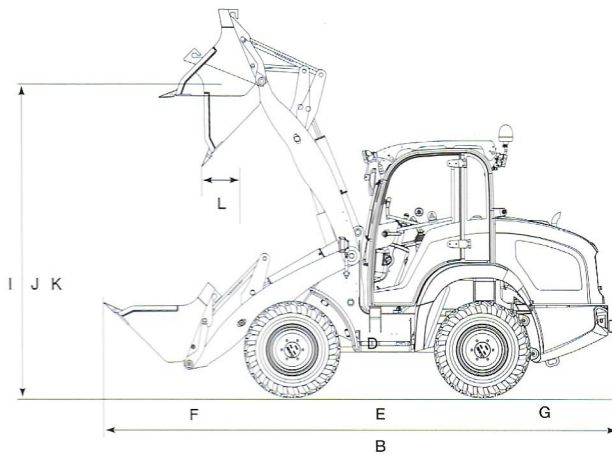
Technical Data.



Wheel loader with standard bucket and standard tyres
(top view)



Wheel loaders with standard bucket and standard tyres
(front view)



Wheel loaders with standard bucket and standard tyres
(side view)

5025 5035 5055 5065 5065T

DIMENSIONS

A Height mm	1.990	1.990	2.380	2.390	2.470
B Length mm	4.080	4.080	4.950	4.950	5.350
C Width* mm	1.200	1.200	1.590	1.595	1.590
D Ground clearance mm	230	230	270	280	280
E Distance between rear wheels mm	1.525	1.525	1.850	1.850	2.000
F Middle of front axle to tip tooth mm	1.360	1.360	1.780	1.780	1.992
G Middle of rear axle to end of vehicle mm	1.195	1.195	1.320	1.320	1.320
H Bucket width mm	1.250	1.250	1.650	1.650	1.650
I Bucket pivotal point mm	2.800	2.800	3.040	3.050	4.270
J Overhead loading height mm	2.690	2.690	2.890	2.900	4.010
K Dumping height mm	2.260	2.260	2.320	2.330	3.500
L Dumping width mm	165	165	300	300	810
Stacking height mm	2.680	2.680	2.820	2.830	4.030
Turning radius of tyres mm	1.950	1.950	2.700	2.700	2.900
Turning radius of bucket mm	2.700	2.700	3.550	3.550	-
Turning radius of stacker mm	2.950	2.950	3.820	3.820	-

* with standard tyres